

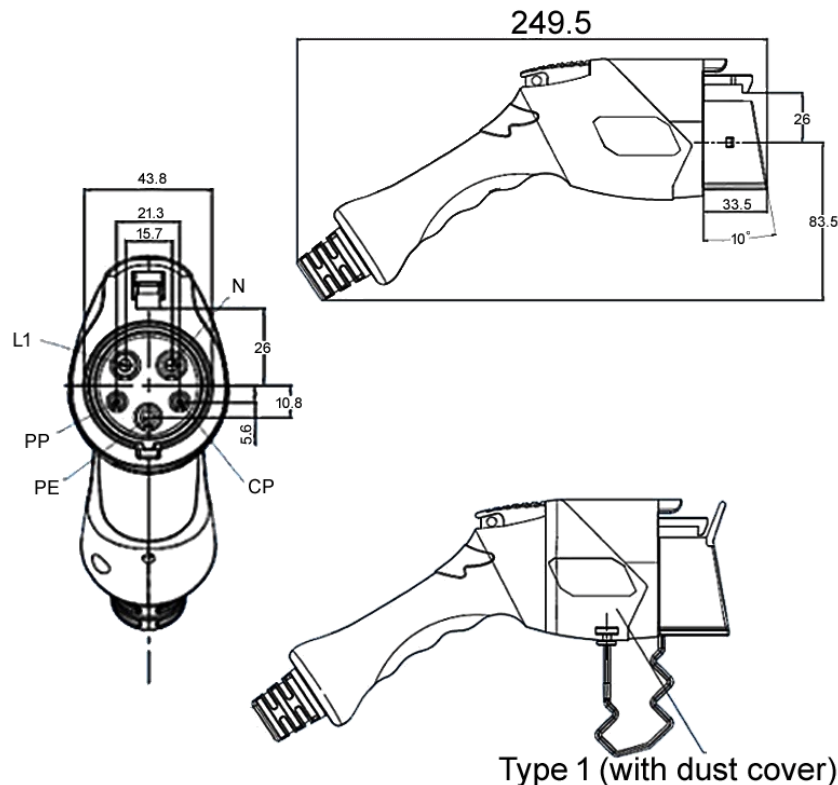
DATA-SHEET



JT Mobility 32A SAE J1772 Single Phase AC Type 1 Female electric car plug is designed to create a custom EV charger by selecting the desired cable length and connectors. Our This type1 connector meet the US standards. Plug connector comes as a component including the correct resistance required for assembly. This is not a complete charging cable; you use the components offered here to mount a complete charging cable type 1 for self-assembly.

KEY FEATURES

- Plug in/pull out >10000 times
- Reliability of materials, anti-flaming, pressure-resistant, impact resistance .
- EV plug j1772 meet UL 2251:2013, C22.2 NO 282-13 standards.
- Waterproof and dust-proof performance.
- This Charging Plug is with safe pins insulated head design to prevent direct contact and electric shock.
- Universal compatible, high-quality Type 1 electric car plugs designed for 10,000+ charging cycles
- Type 1 connector with IP55 level (working condition).



TYPE 2 IEC 62196-2 FEMALE EV PLUG OR CONNECTOR GUN

SPECIFICATIONS		
Part Code	JTEVG1PT1F-1	JTEVG1PT1F-2
Rated current	16A	32A
Operate Voltage	110-250V AC , Single Phase	110-250V AC , Single Phase
Standard	SAE J1772 Standard Type 1	SAE J1772 Standard Type 1
Insulation resistance	>1000MΩ (DC500V)	>1000MΩ (DC500V)
Temperature Resistance	<50K	<50K
Withstand Voltage	2000V	2000V
Contact Resistance	0.5 megohm MAX	0.5 megohm MAX
Mechanical life	No-load plug in / plug out > 10000 times	No-load plug in / plug out > 10000 times
Material	Thermoplastic, Flame retardant grade UL94-0;	Thermoplastic, Flame retardant grade UL94-0;
Contact Pin	Copper Alloy, Silver or Nickel Plating	Copper Alloy, Silver or Nickel Plating
Operating Temperature	-30C to +65C	-30C to +65C
Protection Degree	IP55 (Working Condition)	IP55 (Working Condition)
Plug Type	Female	Female

