

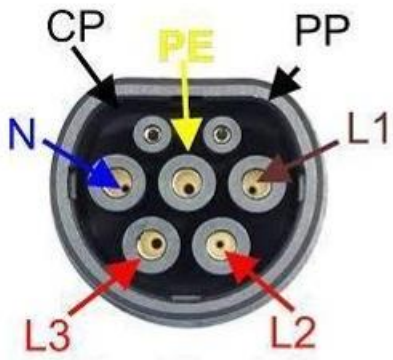
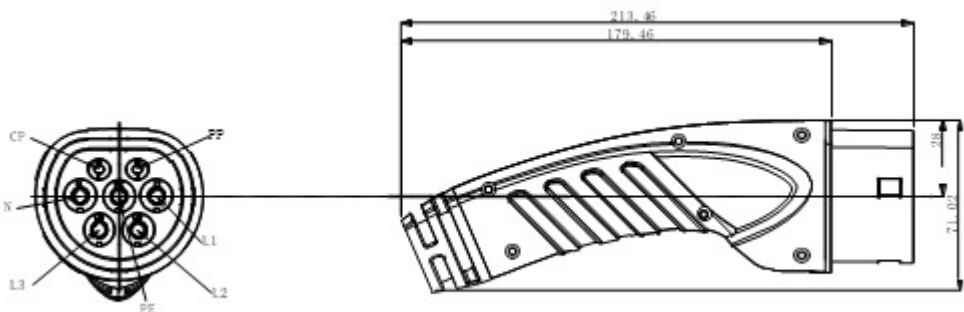
## DATA-SHEET



JT Mobility 32A IEC 62196-2 Three Phase AC Type 2 Female electric car plug is designed to create a custom EV charger by selecting the desired cable length and connectors. Plug connector comes as a component including the correct resistance required for assembly. This is not a complete charging cable; you use the components offered here to mount a complete charging cable type 2 for self-assembly. This type 2 female plug with 16A/32A single / Three phase cable is suitable for self-built Mode 2 & Mode 3 charging cables.

## KEY FEATURES

- Plug in/pull out >10000 times
- Reliability of materials, anti-flaming, pressure-resistant, impact resistance
- Male plugs meet 62196-2:2016 sheet 2-iiie and Male plug meet IEC 62196-2:2016 sheet 2-iiib standard.
- Comply to EN 62196-1: 2014; EN 62196-2:2017; CE Standards.
- Universally compatible, high-quality Type 2 electric car plugs designed for 10,000+ charging cycles
- Type 2 connector with IP55 level (working condition).



# TYPE 2 IEC 62196-2 FEMALE EV PLUG OR CONNECTOR GUN

SPECIFICATIONS				
Part Code	JTEVG3PT2F-2	JTEVG1PT2F-2	JTEVG3PT2F-1	JTEVG1PT2F-1
Standard	IEC 62196-2	IEC 62196-2	IEC 62196-2	IEC 62196-2
Contact Pin	Copper Alloy, Silver or Nickel Plating	Copper Alloy, Silver or Nickel Plating	Copper Alloy, Silver or Nickel Plating	Copper Alloy, Silver or Nickel Plating
Contact Resistance	0.5m ohm Max	0.5m ohm Max	0.5m ohm Max	0.5m ohm Max
Flame Retardant Grade	UL94 V-0	UL94 V-0	UL94 V-0	UL94 V-0
Impact Insertion Force	>300N	>300N	>300N	>300N
Insulation Resistance	>1000Mohm (DC500V)	>1000Mohm (DC500V)	>1000Mohm (DC500V)	>1000Mohm (DC500V)
No of Phase	Three	Single	Three	Single
Operating Temperature	-30C to +65C	-30C to +65C	-30C to +65C	-30C to +65C
Operation Voltage	480V	100-250V	480V	100-250V
Plug Type	Female	Female	Female	Female
Plug Used At	EV Side	EV Side	EV Side	EV Side
Protection Degree	IP55 (Working Condition)	IP55 (Working Condition)	IP55 (Working Condition)	IP55 (Working Condition)
Rated Current	32A	32A	16A	16A
Sealing gasket	Rubber or silicon rubber	Rubber or silicon rubber	Rubber or silicon rubber	Rubber or silicon rubber
Shell material	Thermoplastic	Thermoplastic	Thermoplastic	Thermoplastic
Temperature Resistance	<50K	<50K	IEC 62196-2	<50K